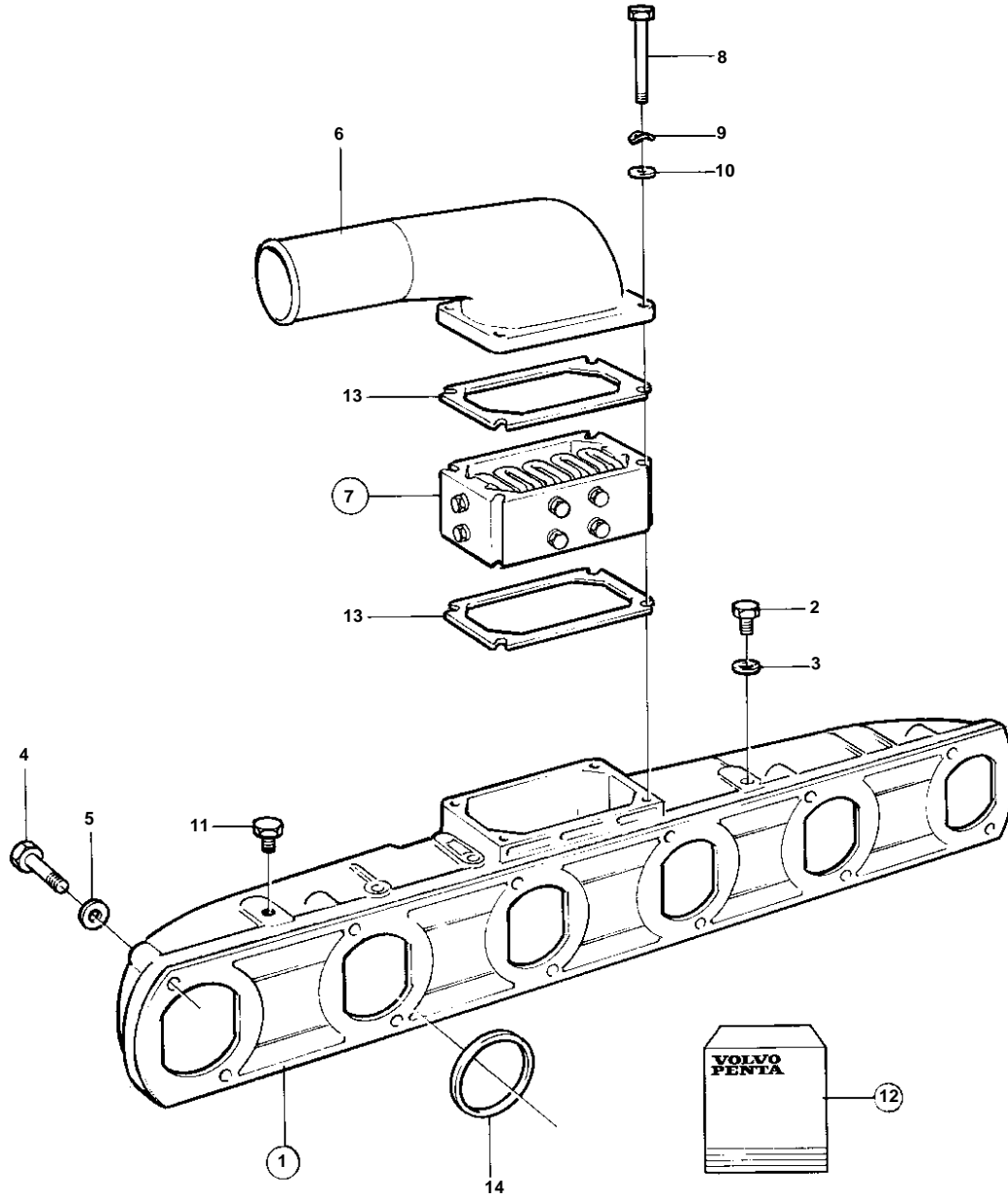


TAD1030V



15287

TAD1030V

REF	PART NO.	QTY	DESCRIPTION	SEE SEC.	NOTES
1	1545048	1	Inlet pipe		REPL BY 8194465
	8194465	1	Inlet pipe		
2	940113	1	• Screw		
3	947620	1	• Gasket		
4	955526	6	Screw		L=51mm
	955533	2	Screw		L=102mm
	949886	2	Screw		L=108mm
5	941907	10	Spring washer		
6	865070	1	Connection pipe		
7	471867	1	Starter element		
				608	
8	955532	4	Screw		
9	941907	4	Spring washer		
10	955894	4	Washer		
11	479979	1	Plug		(191026)
12	876781	1			
13	424618	2	• Gasket		
14	469829	6	• Rubber cushion		